

Standex-Meder Electronics

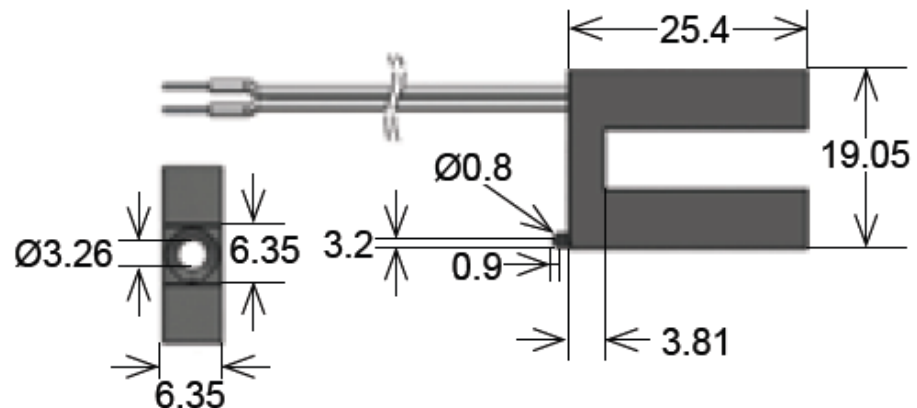
Custom Engineered Solutions for Tomorrow



MK28 Sensor

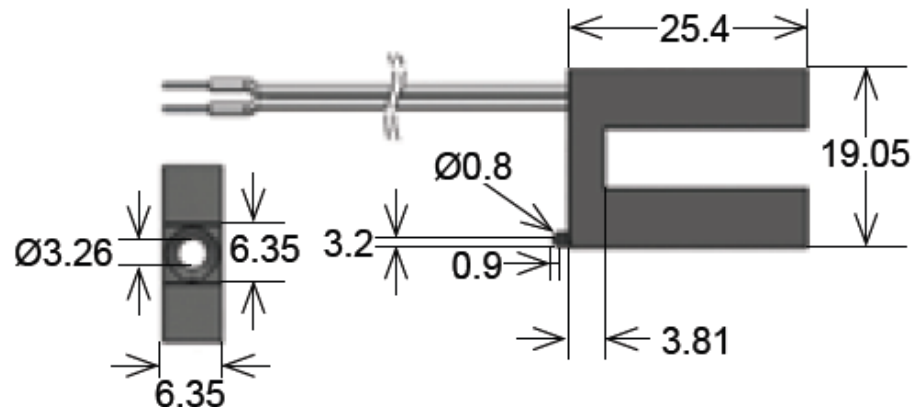
Mechanical Specifications

- Compact Vane Sensor
- Metal Detection
- Screw Mount
- Cable connected
(other cables & connectors available)



Electrical Specifications

- Contact Form: 1A, 1B, 1C
- Rated Power (W): 0 to 10
- Switching Voltage (VDC): 0 to 200
- Switching Current (A): 0 to 0.5
- Carry Current (A): 0 to 1.0



Markets

- Automotive
- Robotics
- Recreation Vehicles
- Industrial Automation Equipment
- Test & Measurement



Applications

- Water meter cursor detection
- Position control
- Industrial applications
- Locking systems
- Incremental measuring
- Pedal- or Axis-Detection

MK28 – Vane Operated Sensor

The MK28 reed proximity switches operate when in the presence of magnetically conductive material. Instead of an actuating magnet, only a simple piece of iron-sheet is required to operate the sensor between the two Vanes. These sensors are available as Form A, Form B and Form C switches.

They are an excellent alternative to light-barrier sensors and require no power to operate. The MK28 Series provide user the ability to set tolerances, independent of a magnet. They are suitable for a wide range of applications including positioning and detection systems, security uses such as door and window control and incremental counting devices.

MK28 for Recreational Vehicles

Reed Sensors in recreational vehicles ensure high reliability during Outdoor activities. This is essential, especially in remote off-road areas that make rescue difficult. It is very important that the key components of your ATV have high-performance and quality in which you can trust. Standex-Meder is specialized in high quality and reliable Reed Sensor Technology for use in tough weather conditions such as water, rain, frost, snow and ice. Many of these applications come from the automotive sector where they have an intense certification system.

The sensor solutions have been specially adapted for recreational vehicles such as snowmobiles, jet ski, four wheelers, motorcycles, off-road buggys and other ATV's.

