



## X-Loc Micro locating system for microducts

### Product advantages at a glance:

- ✓ Suitable for microtubes from Ø 4 mm
- ✓ Optimised end point localisation
- ✓ Route localisation
- ✓ Copper strands can be terminated
- ✓ Can be combined with all common locating devices (not included in the scope of delivery)
- ✓ Mobile & robust
- ✓ Galvanised tubular steel frame



User  
manual



During fibre optic expansion, pipe blockages repeatedly prevent fibre optic cables from being blown in at network level 3 (FttB) and network level 4 (FttH). These damaged areas cause a great deal of expense and dissatisfaction among contractors, clients, network operators and customers.

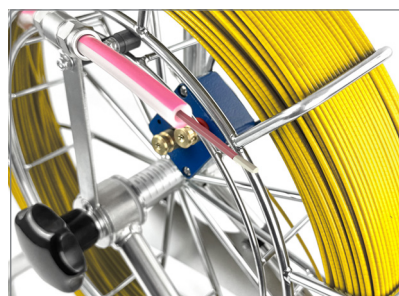
Blockages often cannot be localised precisely and incorrectly placed excavations result in considerable costs.

To avoid this, efficient and precise localisation of blockages is necessary. Conventional probes are too large, cannot be blown in with compressed air or are difficult to locate over long distances.

The X-Loc Micro was therefore specially developed for locating routes and blockages in microducts with an internal diameter of 4 mm or more. The unique combination of the shear-stable Polykat® glass fibre profile and the integrated, trimmable copper strands enables fast and precise line location and optimised end point localisation over a distance of up to 250 m. The range is extended to up to 500 m when the X-Loc is used at both conduit inlets.

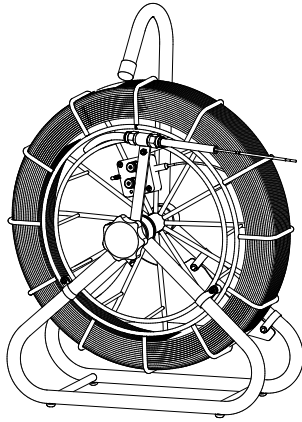
This technical market innovation positions the X-Loc Micro as a pioneering solution for the precise localisation of blockages in microducts.

The X-Loc Micro consists of a Polykat® glass fibre profile Ø 2.5 mm, integrated copper strands, connection box and a galvanised steel pipe frame. An earthing cable and 2 contact adapters are also included in the scope of delivery.





## DATA SHEET



**Art-Nr.**  
104360

**Name**  
X-Loc Micro  
locating system  
for microducts

### 1 Description

Route detection with optimised end point localisation, Polykat<sup>®</sup> glass fibre profile with copper wires, 3-pin connection box for connection to a transmitter, galvanised tubular steel frame.

Scope of delivery: X-Loc Micro locating system incl. 2 contact adapters and earthing cable.

### 2 Technical data

Type	Value	Unit
Rod-Ø	2,5	mm
Rod length	250	m
Inner tube-Ø min	4	mm
Inner tube-Ø max	15	mm
Bending radius min.	140	mm

### 3 Product dimensions

Type	Value	Unit
Weight	6,5	kg
Length	40	cm
Width	18	cm
Height	57	cm

Do you like this solution?  
Please contact Heynen for distribution in BENELUX.

[heynen@heynen.com](mailto:heynen@heynen.com)

NL tel: +31 (0)485-550909

BE tel: +32 (0)11-600909

LUX tel: +352(0)26-910781

